

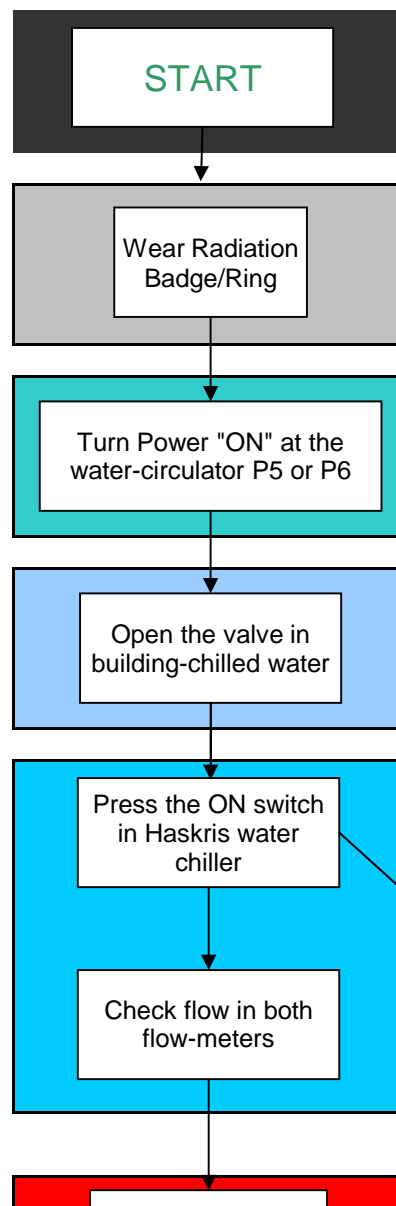
X-Ray Generator Start-up & Shut-down Flowchart (R-Axis IV++ IP)

X-Ray Crystallography Facility
410-413 Kasha Laboratory
Institute of Molecular Biophysics
Florida State University
Tallahassee, FL 32306-4380
Office: (850) 644-6448
tsomasundaram@fsu.edu

Last update: October 2014

Lab: (850) 645-1333
www.sb.fsu.edu/soma

© 2004-2014 Thayumanasamy Somasundaram



Open the valves in He gas cylinder; Ensure flow



Flip the handle to ON in circuit

Ensure flow
Check the He flow in flow-meter at



Enter sample information in log

Wait 15 minutes

Press START button on VACUUM

Check vacuum-meter reading

Check Haskris water temperature



Press ON button below POWER on

Check vacuum-meter reading

Check the He flow in flow-meter

Press ON button below TARGET

Check vacuum-meter reading



Press ON button below X-RAY lamp

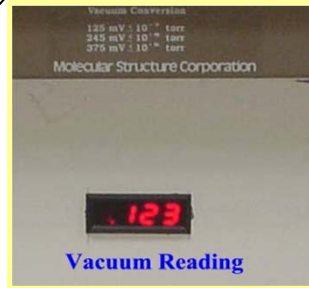
Check vacuum-meter reading

Check Haskris water temperature

Wait 10 minutes

Increase kV by 2;
Increase mA by 4;
Never Exceed max limit

Check vacuum-meter reading



Vacuum Reading

Enter instrument information in log

Proceed with data collection

DATA COLLECTION

Finish data collection

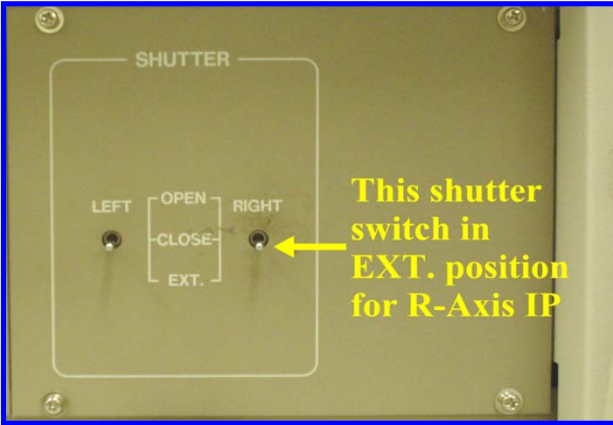
Decrease kV by 4;
Decrease mA by 6;
Stop at 20 kV and 10 mA

Press OFF button below POWER on

Press STOP button on VACUUM panel

Flip the handle to OFF in circuit

For R-Axis IIc only
Ensure Right shutter switch is in EXT. position in SHUTTER panel



Close the valves in He gas cylinder; Ensure stoppage





Press the OFF switch
in Haskris water
chiller

Close the valve in
chilled water

Turn knob back to 'OFF' on
water-circulator P5 or P6

END

